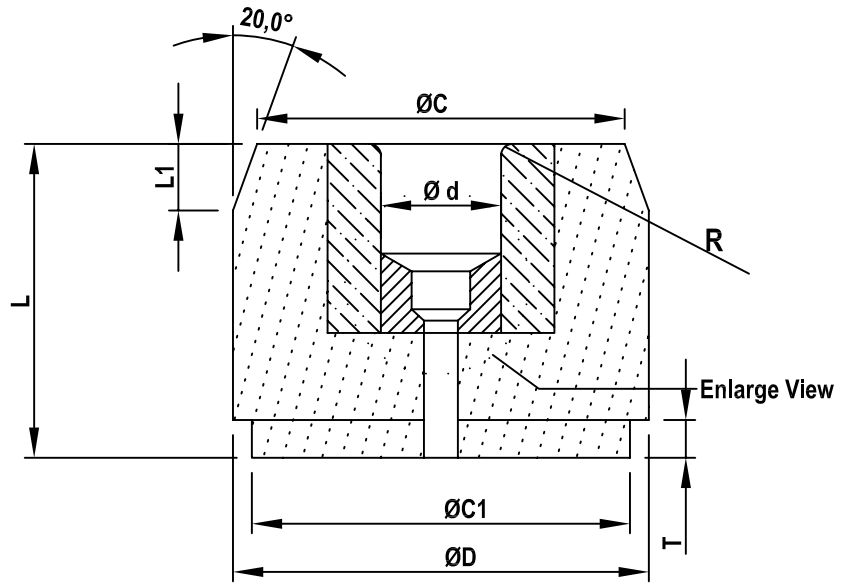


Enlarge View



EN-24 Hardness Case
40-45HRC

Combine Die

Sr.No	ØD	L	Bore Ød	FBL	SL	T	Nozzle ØND	Nozzle NL	CHF L	Pin ØP	R	CHF L1	ØC	ØC1	øe		
1																	
2																	
3																	
4																	

Name of the Customer:

Designed by FAIZAN	Checked by MALAY	Approved by - date	All Dimantion in mm	Date	Scale NTS
-----------------------	---------------------	--------------------	---------------------	------	--------------

MIKRON ENGINEERS MUMBAI	ITEM DISCRPTION: COMBINE DIE	
	DRG. NO.	Edition Sheet 1 of 1