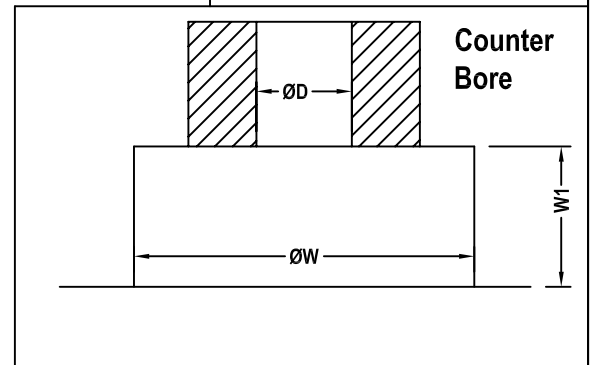
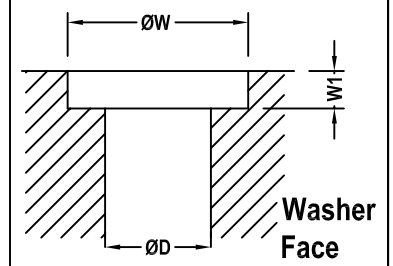
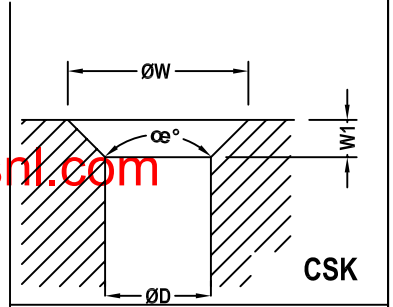
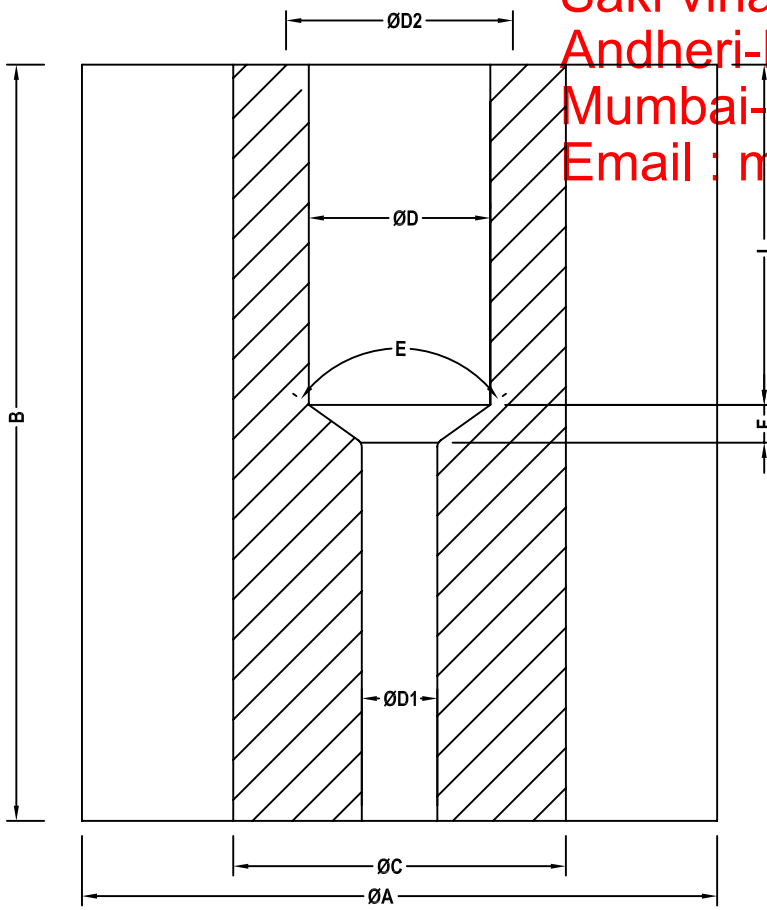


Mikron Engineers
 C-7, Ansa Ind. Est.
 Saki vihar road,
 Andheri-East
 Mumbai-400072
 Email : mikron@vsnl.com



| Sr no. | ØA | B | ØC | ØD | ØD1 | ØD2 | E | F | L | Type | ØW | W1 | α° | | |
|--------|----|---|----|----|-----|-----|---|---|---|------|----|----|----|--|--|
| 1 | | | | | | | | | | | | | | | |
| 2 | | | | | | | | | | | | | | | |
| 3 | | | | | | | | | | | | | | | |
| 4 | | | | | | | | | | | | | | | |
| 5 | | | | | | | | | | | | | | | |
| 6 | | | | | | | | | | | | | | | |
| 7 | | | | | | | | | | | | | | | |
| 8 | | | | | | | | | | | | | | | |
| 9 | | | | | | | | | | | | | | | |
| 10 | | | | | | | | | | | | | | | |

Name of the Customer:

| | | | | | |
|-----------------------|---------------------|--------------------|-----------|------|--------------|
| Designed by FAIZAN | Checked by PARIN | Approved by - date | File name | Date | Scale NTS |
|-----------------------|---------------------|--------------------|-----------|------|--------------|

| | | |
|----------------------------|----------------------------|-------------------------|
| MIKRON ENGINEERS MUMBAI | ITEM DISCRIPTION: POINTING | |
| | DRG. NO. | Edition Sheet 1 of 1 |