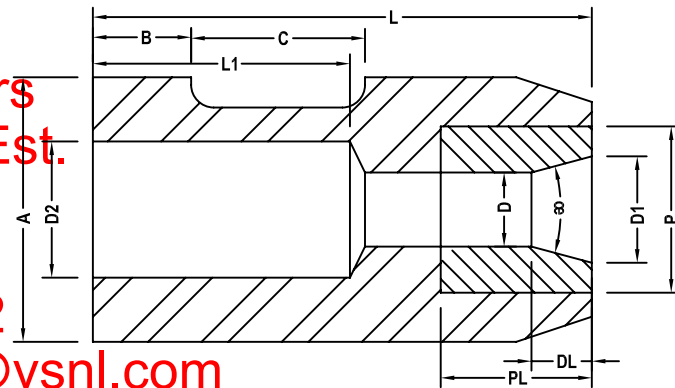
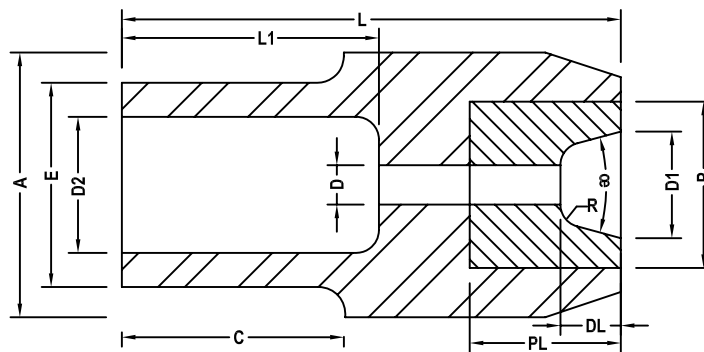


TYPE 1



TYPE 2



TYPE 3

Mikron Engineers
 C-7, Ansa Ind. Est.
 Saki vihar road,
 Andheri-East
 Mumbai-400072
 Email : mikron@vsnl.com

Sr.No.	TYPE	ØA	C	ØD	ØD1	ØD2	DL	ØE	L	L1	ØP	PL	α	R
1														
2														
3														
4														
5														

Name of the Customer:

Designed by FAIZAN	Checked by MALAY	Approved by - date	File name	Date 13.08.2009	Scale NTS
-----------------------	---------------------	--------------------	-----------	--------------------	--------------

**MIKRON ENGINEERS
 MUMBAI**

ITEM DISCRPTION: PUNCH

DRG. NO.

Edition
 Sheet
1 of 1